

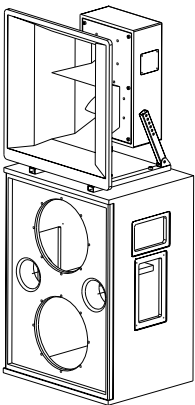


Beta Three

# CS3412A

THEATER MAIN SPEAKER

## USER'S MANUAL



ED-B3-MA-051112-001



## Features:

■ **Four transducers three way phase-inversed surrounding cinema speaker, professional high efficient transducers. Computer simulating design.**

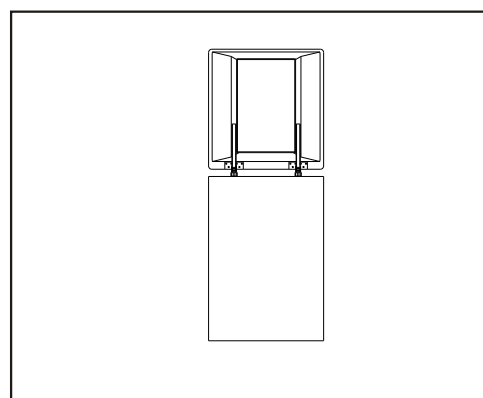
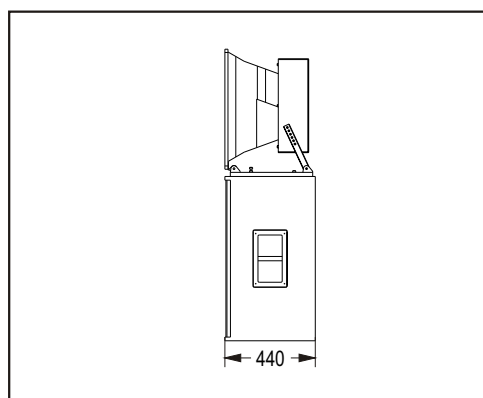
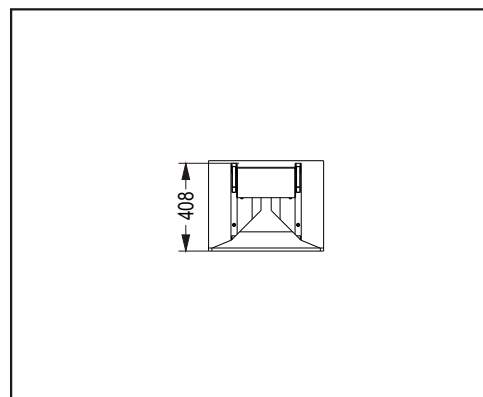
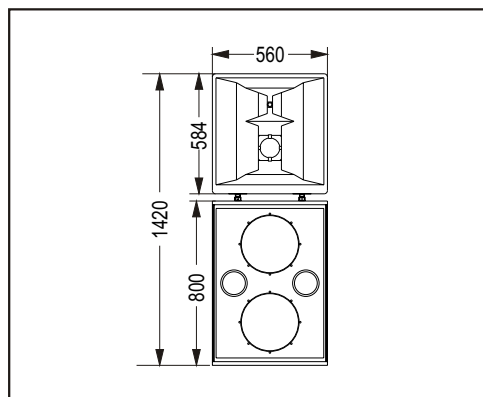


- Four transducers three way full range
- High SPL, high sensitivity
- Two 12" big power woofers
- One 8" compression horn mid range transducer,
- One compression driver with 44mm titanium diaphragm
- Built-in crossover for HF/MF. external crossover for MF/HF
- 90° × 40° wide dispersion can get the wider covering
- Computer simulating design provide very good Frequency response and phase feature
- Very convenient walling installation mode
- Suitable for THX,DTS and other multi-channel surrounding sound reinforcement in cinema
- Suitable for Mid/small cinema audio system
- Combining with β 3 special speaker controller Σ C-2600 can get good frequency response and phase
- Can work with β 3 CSB218A, CSR210A, CSR212A, CSR215A when used for high quality music replaying

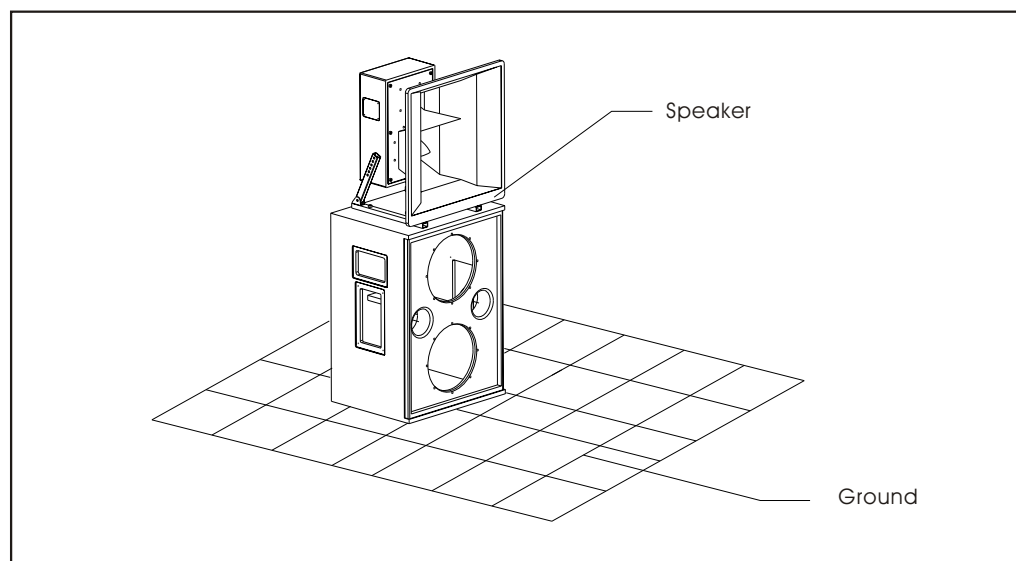
## Specifications:

Transducers	Bass: 12"×2; Mid: 8"×1; Treb: φ 44mm×1
Frequency response(-3dB/-10dB)	LOW:43Hz-800Hz/35Hz-3KHz, MID/HIGH:400Hz-20KHz/300Hz-20KHz
Sensitivity(1m/1W)	LOW:100dB, MID/HIGH:103dB
Xover point	LOW/MID:450Hz, MID/HIGH:2.2KHz
Dispersion(H×V)	90° ×40°
Power(RMS)	LOW:500W, MID/HIGH:200W
Rated impedance	LOW:4 Ohm, MID/HIGH:8 Ohm
DC impedance	LOW:2.8 Ohm, MID/HIGH:4.8 Ohm
THD	<3%
Input	Spring clip
Net weight	LOW:40Kg, MID/HIGH:14.4Kg
Gross weight	LOW:45Kg, MID/HIGH:19Kg
Dimensions(W×D×H)	LOW:560×440×800mm, MID/HIGH:560×408×584mm
Packing dimensions(W×D×H)	LOW:670×550×920mm, MID/HIGH:700×676×535mm

## Cabinet Dimension:



## Installation drawing:



**CS3412A**  
**THEATER MAIN SPEAKER**