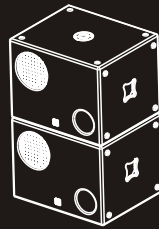
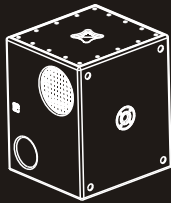
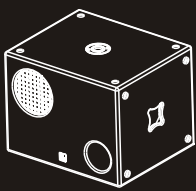




ΣΒ118D

Toasting paint speaker

User's manual



ED-B3-MA-050326-002



Features:

■ Σ B118D is a professional wooden subwoofer manufactured by Elder Audio. It is made of plywood toasting Paint. It adopts one 18" subwoofer and six order bandpass structure, to provides better performance in applications of KTV room and Disco hall, etc. Also can be used with other assistant units.

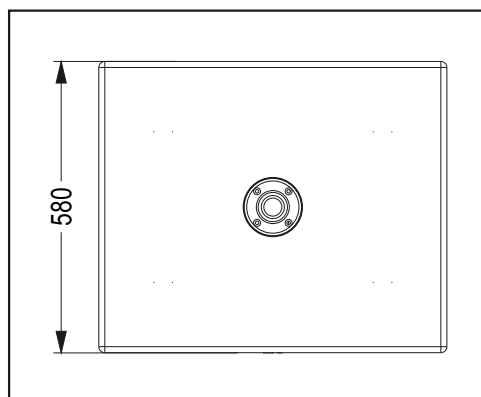
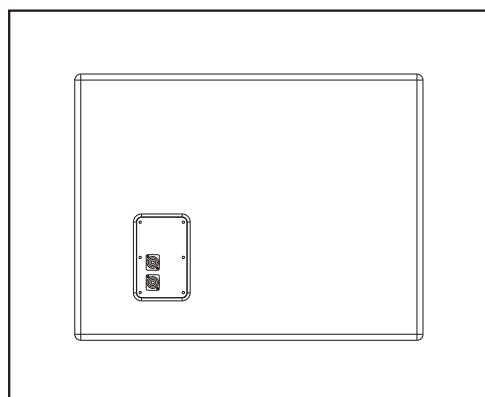
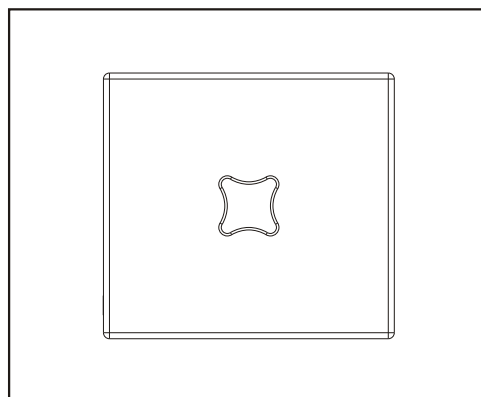
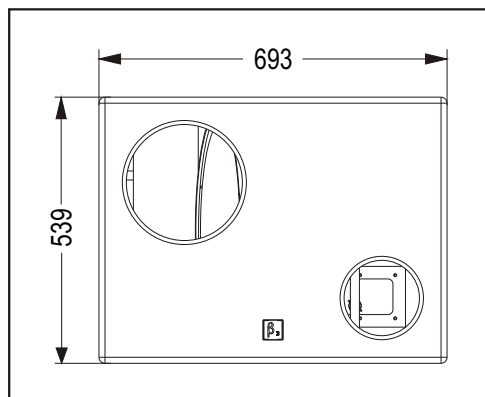


- Six order bandpass big power bass box
- One 18" big power woofer
- High intensity fasten enclosure structure, optimized phrase
- Flexible installation method
- Can be used assorted with B3 high SPL full range speaker
- Together with β 3 Σ S210、 Σ S212、 Σ S215 can constitute to be main enlarge system with high capacity wide range band

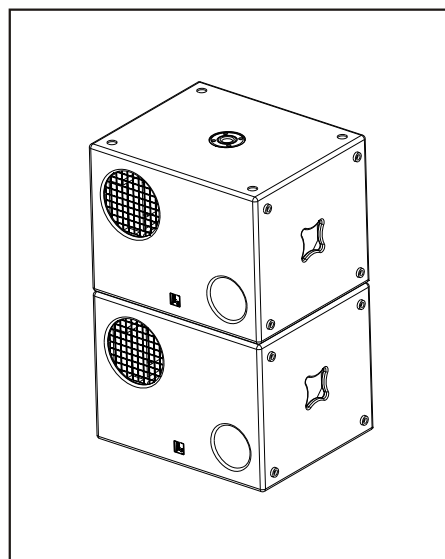
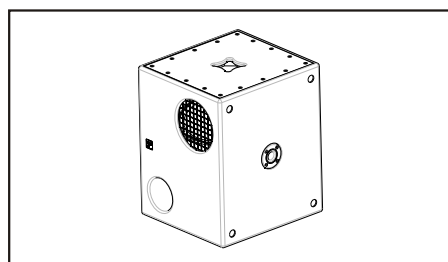
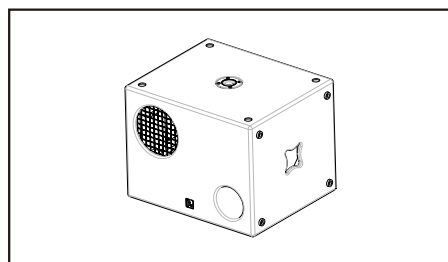
Specifications:

Fequency Response(-3dB):	38Hz-150Hz
Sensitivity(1m/1W):	100dB
Rated Power(RMS):	500W
Rated Impedance:	8 Ohm
DC Impedance:	5.5 Ohm
THD:	<1 %
Input Connectors:	NL4×2
Net Weight(1Pcs):	37kg
Gross Weight:	42kg
Dimensions (W×D×H):	693×580×539mm
Packaging Dimensions 2pcs/pack(W×D×H):	803×690×650mm

Cabinet Dimension:



Installation drawing:



ΣBII8D
WOOFER PROFESSIONAL SPEAKER