

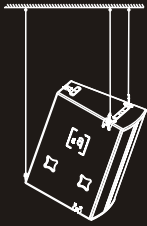


# ΣB218

---

## Toasting paint speaker

User's manual



ED-B3-MA-050326-001



## Features:

■  $\Sigma$ B218 is a professional wooden subwoofer manufactured by Elder Audio. It is made of plywood toasting Paint. It adopts Two 18" subwoofer and six order bandpass structure, to provides better performance in applications of KTV room and Disco hall, etc. Also can be used with other assistant units.

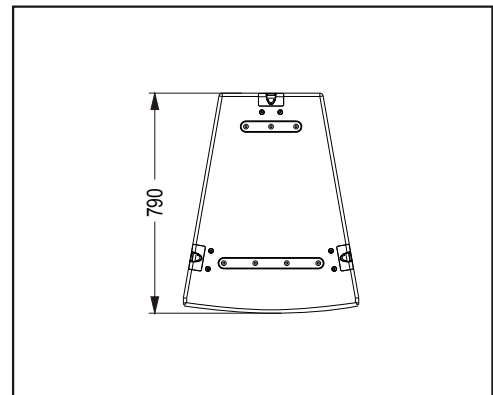
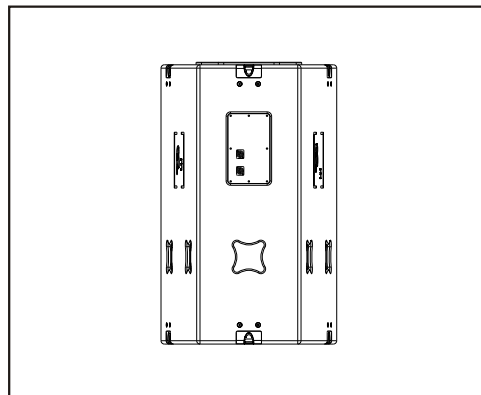
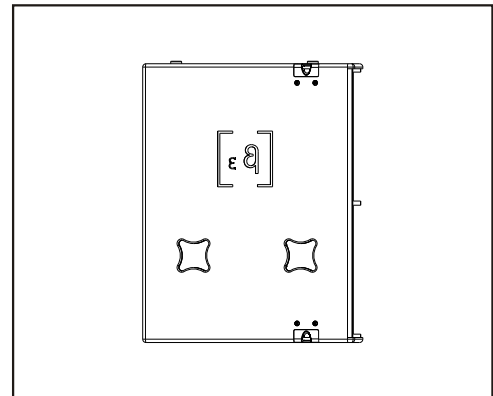
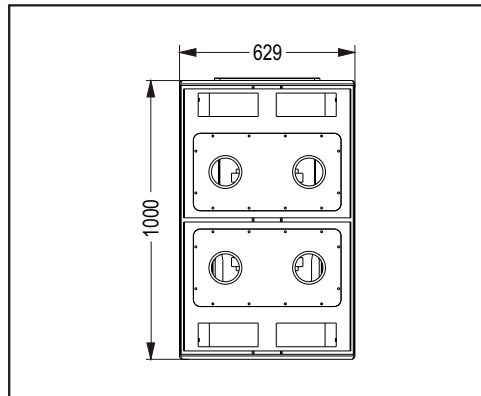
- Six order bandpass big power bass box
- Two 18" big power low frequency transducers
- High intensity enhanced cabinet construction
- Flexible proprietary flying system
- Can be used assigned with  $\beta$  3 full range high SPL output speakers
- Suitable for enhanced LF system
- Assigned with  $\Sigma$  H415/64 &  $\Sigma$  H315/64 of  $\beta$  3, it be used for the wide bandwidth and big power main sound reinforcement system



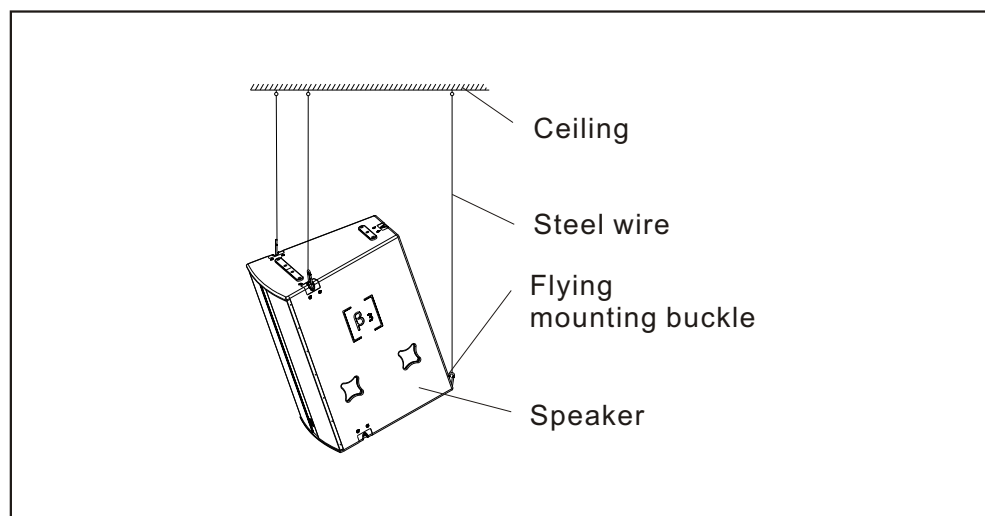
## Specifications:

Frequency Response(-3dB):	45Hz-200Hz
Sensitivity(1m/1W):	103dB
Rated Power(RMS):	1000W
Rated Impedance:	4 Ohm
DC Impedance:	2.7 Ohm
THD:	<3%
Input Connectors:	NL4×2
Net Weight(1Pcs):	77Kg
Gross Weight:	83.5Kg
Dimensions (W×D×H):	629×790×1000mm
Packaging Dimensions 2pcs/pack(W×D×H):	1170×790×950mm

## Cabinet Dimension:



## Installation drawing:



**ΣB218**  
**WOOFER PROFESSIONAL SPEAKER**