

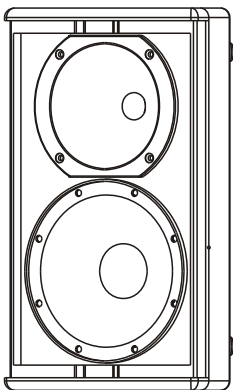


Beta Three

Σ5208

FULL RANGE PROFESSIONAL SPEAKER

USER'S MANUAL



ED-B3-MA-060303-006



Features:

■ **Two transducers two way phase-reversed full range professional speaker, professional and efficient transducers, computer simulating design.**

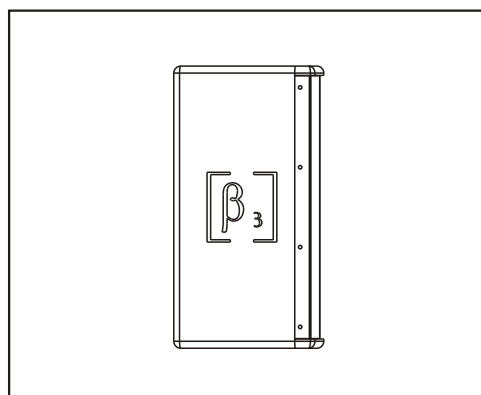
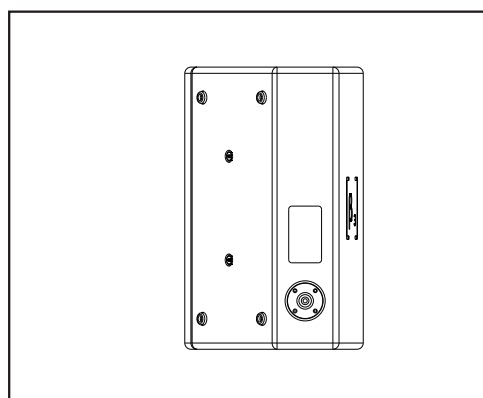
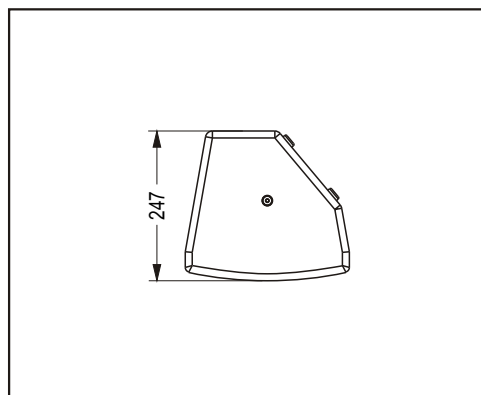
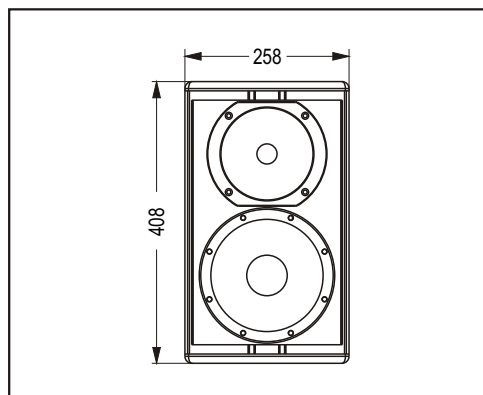
- Two transducers two way full range
- High SPL, high sensitivity speaker
- One 8" woofer with big power
- One 1" compression driver with PEI diaphragm
- Driven by single amplifier
- 140° × 140° wide dispersion can get the better covering
- Computer analog design bring better frequency response and phase
- Flexible and convenient installation mode
- Used for full range sound reinforcement, language reinforcement for meeting system, background music, bar, dance hall and other public avenues
- Suitable to be as monitor and sound compensation for any big audio project and touring performance
- Can work with β 3 high energy subwoofer (Σ B118D) when used for high quality replaying music



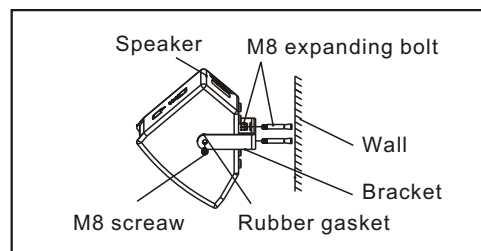
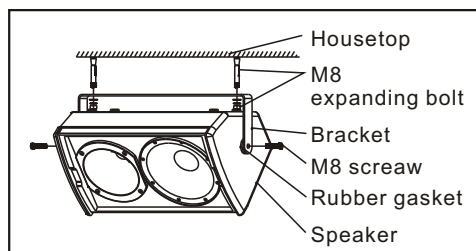
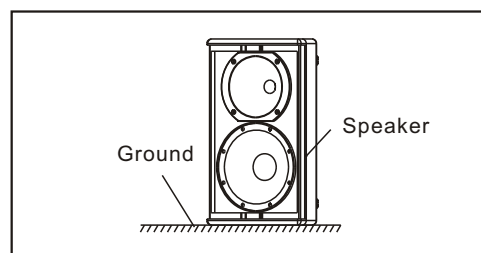
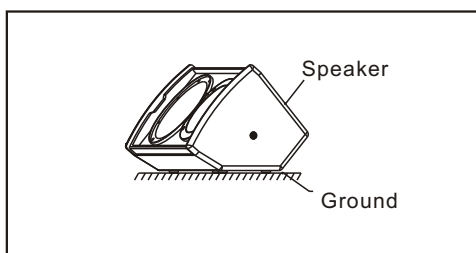
Specifications:

Frequency Response(-3dB):	85Hz-19KHz
Sensitivity(1m/1W):	93dB
Crossover Frequency:	2.5KHz
Dispersion(H×V):	140° × 140°
Rated Power(RMS):	100W
Rated Impedance:	8 Ohm
DC Impedance:	6.2 Ohm
THD:	<3%
Input Connectors:	NL4×1,+1 -1
Net Weight(2Pcs):	18Kg
Gross Weight:	22Kg
Dimensions (W×D×H):	258×247×408mm
Packaging Dimensions 2pcs/pack(W×D×H):	617×337×508mm

Cabinet Dimension:



Installation drawing:



Σ5208
FULL RANGE PROFESSIONAL SPEAKER