

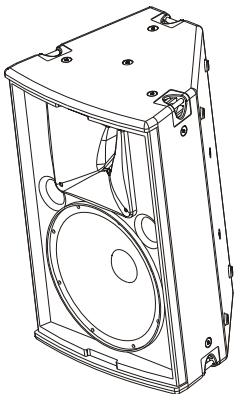


Beta Three

ΣS210

FULL RANGE PROFESSIONAL SPEAKER

USER'S MANUAL



ED-B3-MA-060303-008



Features:

■ **Two transducers two way phase-reversed full range professional speaker, professional and efficient transducers, computer simulating design.**

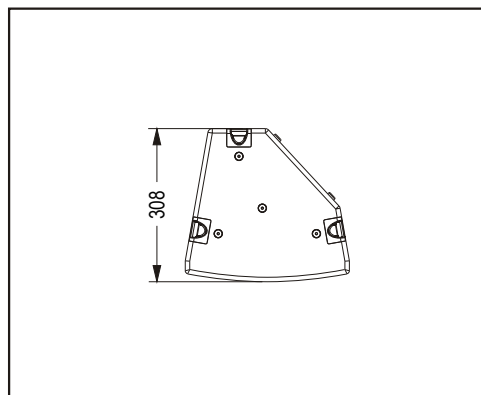
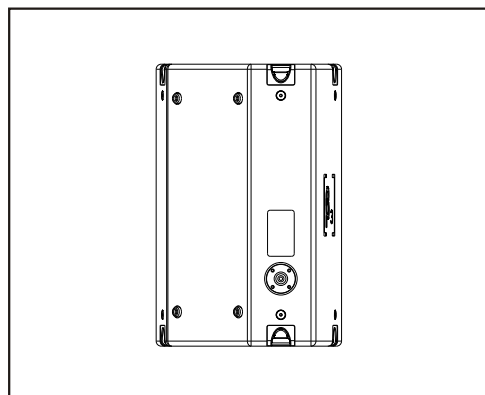
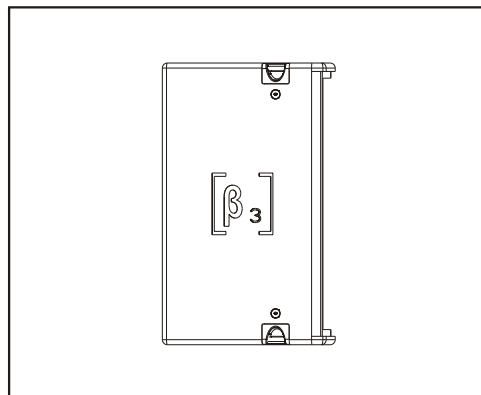
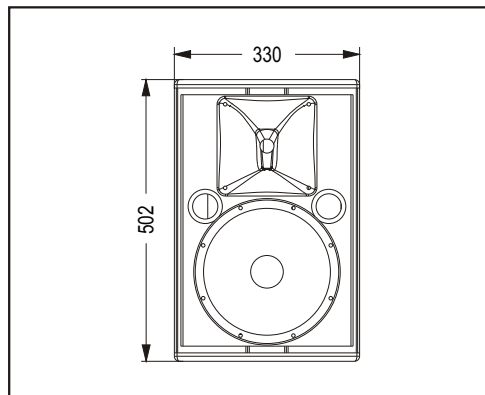
- Two transducers two way full range
- High SPL and sensitivity speaker
- One 10" big power low frequency transducer
- One compression driver with 1.7" titanium diaphragm
- Drived by one amplifier to get more widely enlarge capability
- 55-100° × 55° width direction to get more widely enlarge capability
- With computer optimize simulated design to get better frequency and phrase features
- Multiple flexible installation methods
- Suitable for full sound field enlarge, club and dancery etc publics using
- Suitable for any big sound engineering project or enlarge, returning listen, repair listen of fluxion performance system
- Used for high quality output replaying music,
- Can be assorted with ΣB115H、ΣB118D、ΣB218 high capacity bass box



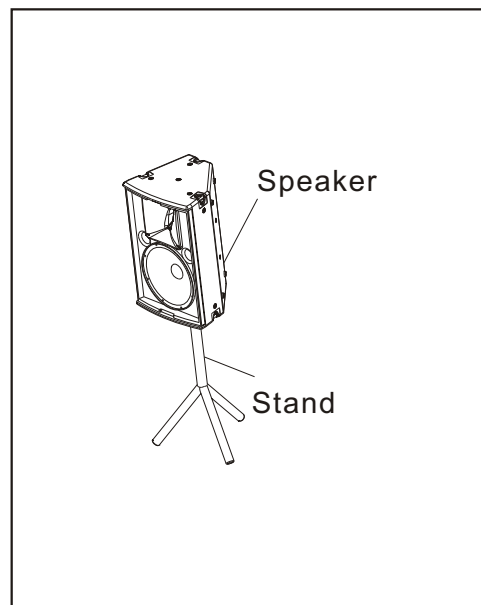
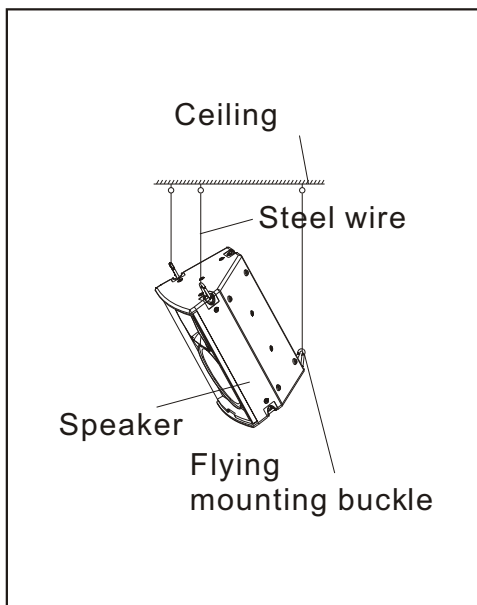
Specifications:

Fequency Response(-3dB):	70Hz-20KHz
Sensitivity(1m/1W):	94dB
Crossover Frequency:	1.8KHz
Dispersion(H×V):	(55-100°)×50°
Rated Power(RMS):	200W
Rated Impedance:	8 Ohm
DC Impedance:	5.6 Ohm
THD:	<3%
Input Connectors:	NL4×1 , +1 -1
Net Weight(1Pcs):	17Kg
Gross Weight:	19.8Kg
Dimensions (W×D×H):	330×308×502mm
Packaging Dimensions 1pcs/pack(W×D×H):	430×408×622mm

Cabinet Dimension:



Installation drawing:



Σ5210
FULL RANGE PROFESSIONAL SPEAKER