

## Features:

- Passive low frequency speaker with one 12" woofer.
- Voice coil in the 12" woofer is made from  $\varnothing$  75mm copper cladding aluminium ribbon wire. It's efficiency is 20% higher than normal round wires.
- Heavy duty protective grille.



**Beta Three**

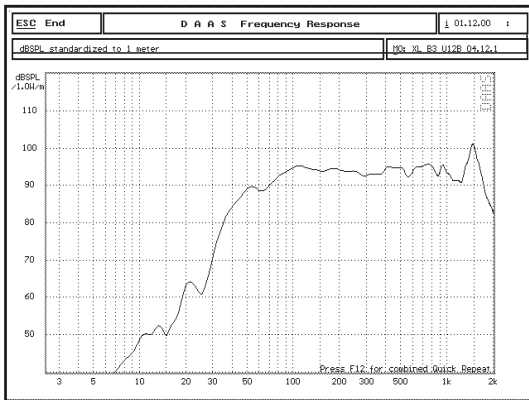


## Model: UI2B

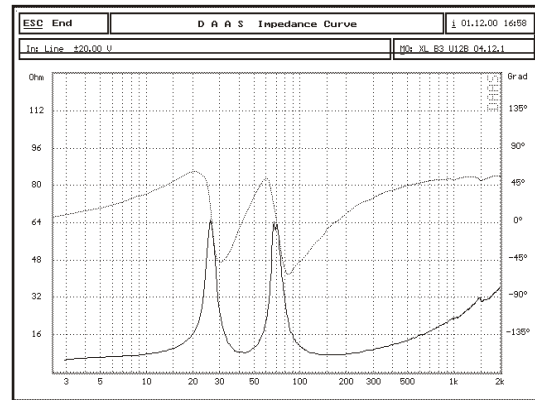
### Technical Parameters

System:	Passive Low Frequency Speaker
Cabinet:	Polypropylene, Trapezoid
Cabinet Color:	Black, White, Blue, Gray
Drive Quantity:	1x12" (Bass)
Frequency Response(-3dB):	45Hz-800Hz
Frequency Response(-10dB):	40Hz-2KHz
Sensitivity:	94dB
Impedance:	8 Ohm
Max Noise Power(RMS)	300W
Average Sound level:	120dB
Harmonic Distortion:	≤3%
Connectors:	2xNL4 SPEAKON
Dimensions(WxDxH mm/pcs):	415x391x600mm
Packing Dimensions(WxDxH mm/pcs)	465x435x680mm
Net Weight(Kg/pcs):	16.2Kg
Gross Weight(Kg/pcs):	18.2Kg

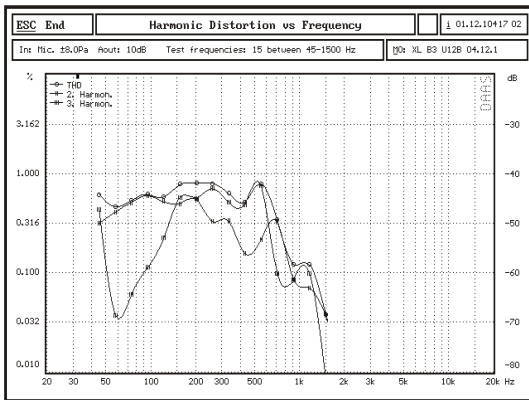




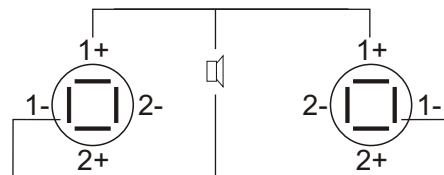
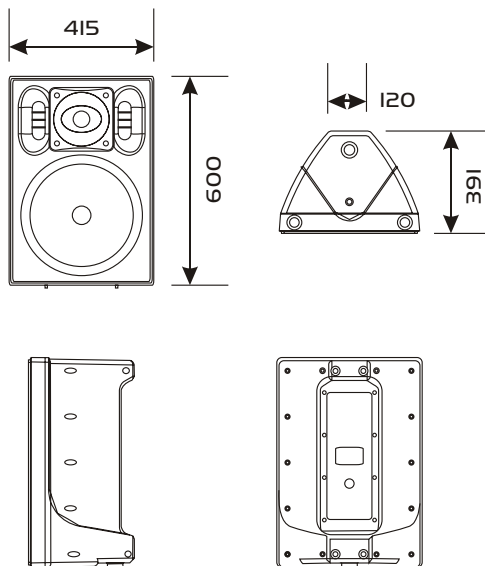
Frequency response, SPL/2.83v



Impedance curve



Harmonic distortion 106dB/2.5m, nominal impedance



Cosmetic changes may be made