

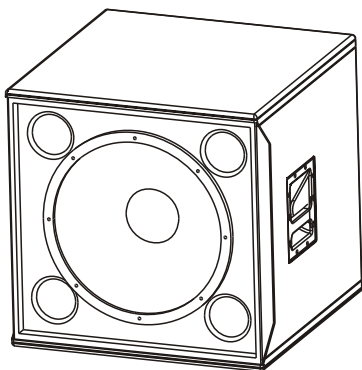


Beta Three

WSI800B

PROFESSIONAL SUBWOOFERSPEAKER

USER MANUAL



ED-B3-MA-051223-002



Features:

■ **WS1800B is a professional wooden subwoofer manufactured by Elder Audio. It is made of MDF toasting Paint. It adopts 18" subwoofer and six order bandpass structure, to provides better performance in applications of KTV room、Hi romm and Disco hall, etc. Also can be used with other assistant units.**

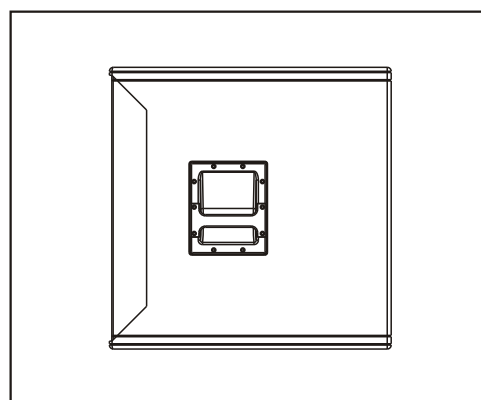
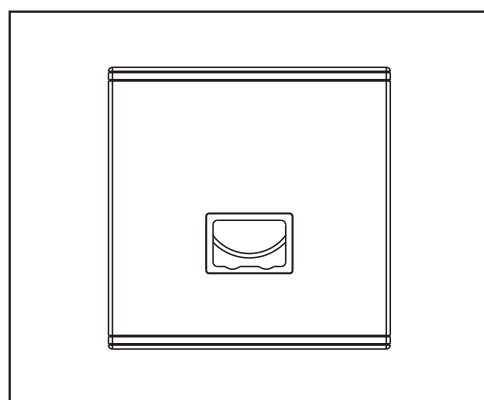
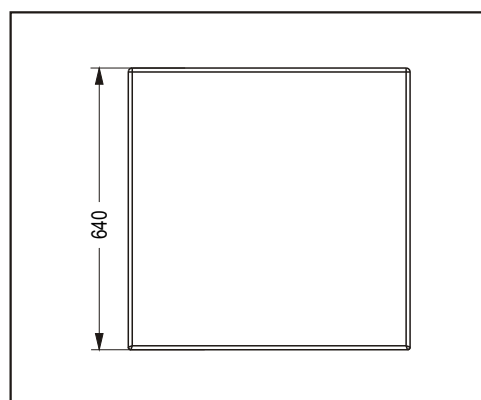
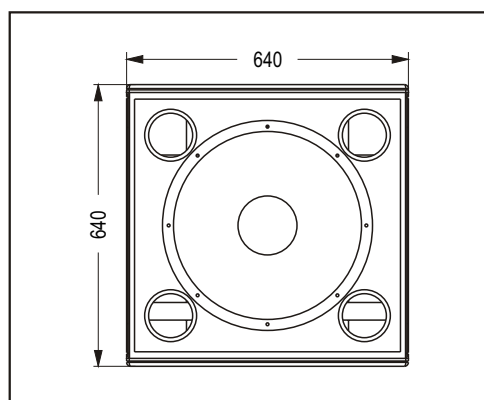
- Six order bandpass big power bass box
- One 18" big power low frequency transducers
- High intensity enhanced cabinet construction
- Flexible proprietary flying system
- Can be used assigned with β 3 full range high SPL output speakers
- Suitable for enhanced LF system
- Assigned with Σ S210、Σ S212、Σ S215 of β 3, it be used for the wide bandwidth and big power main sound reinforcement system



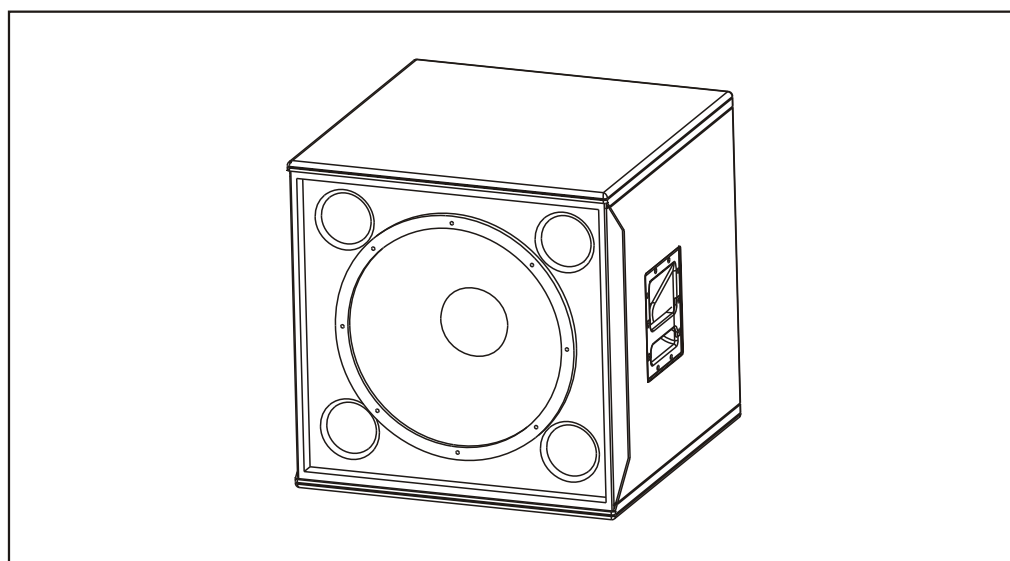
Specifications:

Frequency Response(-3dB/-10dB):	48Hz ~ 1000Hz/40Hz ~ 1200Hz
Sensitivity(1W/1m):	96dB
Rated Power(RMS):	500W
Average SPL(1m):	123dB
Max SPL(1m):	129dB
Rated Impedance:	8Ω
Input Connectors:	NL4 × 2
Dimensions(W × H × D):	640 × 640 × 640mm
Packaging Dimensions(W × H × D):	755 × 755 × 765mm
Net Weight:	52Kg
Gross Weight:	61.1Kg

Cabinet Dimension:



Installation drawing:



WS1800B
PROFESSIONAL SUBWOOFER SPEAKER